



Cammeray Golf Club Limited

Fixtures Book
Jan 2021 – May 2021

Park Avenue, Cremorne NSW 2090
Club House - 9953 1522
Golf Shop - 9953 2089
admin@cammeraygolf.com.au
www.cammeraygolf.com.au

Table of Contents

<u>Item</u>	<u>Page</u>	<u>Item</u>	<u>Page</u>
Board of Directors	4	Handicap Adjustments	11
Life Members	4	Handicap Committee	12
Club Committees	4	Membership Categories	12
Ladies Committee	5	Obtaining a Handicap	12
Important Rules of The Club	5	Motorised Golf Carts	12
Dress Code	6	Tees & Slope Ratings	13
Use of Club for Functions	6	Rules of Play	14
Members Functions	6	Course Markers	14
Members Bar Trading Hours	6	Local Rules	14
Notice Boards	6	Course Management	14
Ladies Comp Days	7	Method of Play - Special Events	14
Visitors	7	Qualifying Rounds	16
Suggestions & Complaints	7	Golf Etiquette	17
Starting Times	7	Match Requirements	17
Juniors - Club Competitions	8	Marking of Cards	18
Comp Bookings / Cancellations	8	Professional Shop	18
Tee Times / Late Arrivals	9	Major Club Events - Men	20
Competitions	9	Winners: Men's Major Events	22
Competition Prizes	9	Winners: Monthly Medals	23
Decisions on Event Ties	9	Major Club Events – Ladies	24
Changes to Events	10	Winners: Ladies Major Events	25
Handicaps and Grades	10	Fixtures: 2021	27
Handicaps for Different Competitions	11		
Handicap Limits	11		



THE 20 MOST IMPORTANT CHANGES TO THE RULES OF GOLF 2019

1. SEARCH TIME - REDUCED FROM 5 MINUTES TO 3 MINUTES
2. BALL MOVED DURING SEARCH - REPLACE NO PENALTY
3. EMBEDDED BALL - FREE RELIEF ANYWHERE THROUGH THE COURSE
4. MEASURING A DROP - USE LONGEST CLUB (EXCEPT PUTTER)
5. DROPPING - DROP FROM KNEE HEIGHT RATHER THAN SHOULDER
6. TAKING STANCE ON WRONG GREEN IS NOT PERMITTED
7. BALL UNINTENTIONALLY HITS PLAYER OR EQUIPMENT - NO PENALTY
8. DOUBLE HIT - NO PENALTY. NOW ONLY COUNTS AS THE 1 STROKE
9. TOUCHING SAND IN BUNKER INCIDENTALLY IS PERMITTED
10. LOOSE IMPEDIMENTS CAN BE REMOVED ANYWHERE INCLUDING HAZARDS
11. DROPPING A BALL OUT OF BUNKER - 2 PENALTY STROKES
12. WATER HAZARDS - NOW CALLED "PENALTY AREAS"
13. TOUCHING GROUND IN PENALTY AREA - NO PENALTY
14. BALL MOVES ON GREEN AFTER BEING MARKED - REPLACE WITHOUT PENALTY
15. BALL ACCIDENTALLY MOVED ON PUTTING GREEN - REPLACE NO PENALTY
16. ALL DAMAGE TO GREEN CAN NOW BE REPAIRED
17. POSITIONING A CLUB FOR ALIGNMENT IS NOT PERMITTED
18. CADDIE ASSISTING WITH ALIGNMENT IS NOW NOT PERMITTED
19. PUTTING WITH FLAG STICK IN HOLE IS NOW PERMITTED
20. BALL WEDGED AGAINST FLAG STICK AND SIDE OF HOLE IS DEEMED AS HOLED

Board of Directors 2020 –2021

Honorary Patron	Gladys Berejiklian – Premier NSW Trent Zimmerman – Federal Member for North Sydney
President	Mark Ohlsson
Vice President	Lindy Adam
Captain	Troy Redwood
Treasurer	Kevin O’Connor
Directors	Alan Carnegie Eleanor Gair Trevor Quilkey
General Manager	Layton Gould

Life Members:

Alvyn Drady
John Maxwell
Max Reynolds
Charlie Stokes

Club Committees 2020-2021

<u>Match & Greens</u>	<u>Finance</u>	<u>Strategy</u>	<u>House</u>
T Redwood*	K O’Connor*	L Adam*	M Ohlsson*
A Carnegie	M. Ohlsson	M Ohlsson	
M Perkins		C Leadle	
T Colley		T Harrison	
M Koeninger			
B Smyth			
G Sinclair			
M Owens			

Ladies’ Committee 2021

Captain	Michelle Perkins
Committee	Trish Kerr, Paula Torpy, Gale Sheiles, Judy Leadle
Veterans’ Delegate	Eve Bagnall

General

Important Rules of The Club

- All complaints about either the Club employees or other members should be addressed to the General Manager. The General Manager will refer written complaints to the Board or appropriate Committee for consideration. In no instance shall an employee of the Club be reprimanded other than by the General Manager.
- No member of the Club, or any person not being authorised by the Club or its officers shall remove, deface, tear, or damage any property of the Club.
- Members, other than Directors, are not permitted in the kitchen or staff quarters or behind the bar at any time.
- All liquor must be consumed prior to leaving the Club House if purchased by either the nip or the glass in the Club House.
- Members and Guests are to leave the Club House within 15 minutes of closing of Member Bar or Function service.
- Members or their guests are not permitted to bring food or liquor into the Club House for consumption on the Club's premises.

Notice to all Members from the Board of Directors

- **There will be ZERO TOLERANCE regarding staff abuse by Patrons or Members.** If you abuse a staff member you will be asked to leave the premises and will be required to appear before the Disciplinary Committee if you are a Member to explain your actions.
- All private property left on the Club premises is at the owner's risk.
- Canvassing for donations or subscriptions, or the sale of raffle tickets or the like, is not permitted on or about the premises, without prior approval of the Board.
- No member or organisation may display a notice or placard, written or printed, in the Club House without the prior approval of the Board.
- Radios should not be used in the Bar area if they cause annoyance to other members present.
- No vehicles may be parked in a position that obstructs the path and buggy track from the Club House to the driveway at any time. Members, when parking cars, **MUST** park correctly between lines. No member may park in designated Board reserved parking bays without approval. Disabled Parking spaces are allocated only for persons with valid authorised permits.
- No member shall, under any circumstances, purchase golf balls or golf equipment from any unauthorised person on the golf course.
- Members and visitors are strongly urged not to use mobile-phones on the course. If phone use is vital for business or emergency reasons, agreement must be obtained from fellow competitors/players to carry an activated phone. Use of mobile phones in the Club House should not disturb other patrons.
- The Club will not serve any alcoholic beverages to persons under the age of 18 years.

- An adult member must accompany juniors under the age of 18 years in the Spike Bar / Bistro Area during the halfway break and at the end of a competition.
- Golf clubs, bags, shoes or travel bags may not be left in the Club House or on the balcony by members, visitors or public players.

Dress Code

Cammeray Golf Club insists on the maintenance of a good standard of dress. Members should observe the following rules in the proper spirit and ensure their attire and that of their visitors is always appropriate.

On the Course

Shoes:	Sandals, thongs, slipper-styled footwear are not acceptable. Shoes suitable for the playing of golf must be worn with socks at all times.
Spiked Shoes:	Soft spiked shoes only please.
Socks:	Sport socks are acceptable.
Shorts/Skirts:	Tailored shorts/skirts are preferred. Shorts and trousers made of toweling material or those with a drawstring top are not acceptable.
Shirts:	Must be of a type approved for golf. These are generally collared polo shirts with either short or long sleeves.

Club House

Neat and tidy appearance required at all times. Soft spiked shoes are acceptable in the Spike Bar.

Use of Club for Functions

All functions, Member functions or Non-Member functions, must be booked in writing to the General Manager.

Members' Functions

Members' functions will be advertised in the Club House and the monthly Cammeray Newsletter prior to the event. Social events are listed in this booklet.

Members' Bar Trading Hours

Trading hours are subject to change during current COVID-19 social distancing restrictions. Members are required to observe the trading hours and to follow Staff direction when functions are in progress. Members may be permitted, but should not expect, to remain on the premises when functions are in progress. However, if permission is granted, the function in progress has priority at all times.

Notice Boards

The main Notice Board is located on the wall under the TVs in the Spike Bar. Other notice boards are situated on the wall in the area in front of the Bar, on the wall near the ATM and near the entrance to

the Pro Shop. When arriving at the Club House, members should check all notice boards for advice on Club activities, local rules, details of the event of the day, and other relevant information.

Ladies' Competition Days

Lady Members have reserved rights to the Course during the tee-time reserved for their competitions. However, men are welcome to play subject to times available and excepting special events.

Tuesday	8:30am to 1:00pm
Friday	8:00/8:30am to 10:00am

* Note - Eastern Standard Time & Eastern Daylight Savings Time

* Note - Start time subject to change

Visitors

Members may invite visitors with the visitor paying a fee in addition to the competition fee.

Members inviting visitors to the Club House must register their names in the Visitors' Book located in the entrance foyer or at the bar. The Member sponsoring the visitor is responsible for their conduct and dress whilst they are in the Club House or on the Course.

To play in a Members' Competition, visitors must hold a GA handicap of 36 or less for men and a handicap of 45 or less for ladies. Furthermore, to play on a Saturday a visitor must be a bona fide seven (7) day member of another golf club.

Visitors are not eligible to enter Club Championships or the Monthly Medal.

Suggestions and Complaints

Members with suggestions or complaints should address them to the General Manager. The Board will pursue members' initiatives if they present them in writing. Members are requested not to approach Board Members with complaints on the course during a competition. Any approaches to Board Members should be made in the Club House or by telephone after they have completed their round.

Starting Times

The normal starting times for competitions are:

Saturdays	6:40am – 11:30pm
Sundays	9:00am – 10:00am

* Eastern Daylight Savings Time / Eastern Standard Time

* Note - Daylight Savings ends on 4 April 2021.

Competition starting times may vary, for example, when Pennant, Inter-Club matches or Major Club events are scheduled. The **Match & Greens Committee** will post any changes of tee-times scheduled in the Fixtures Book on the competition starting sheets and/or Club Notice Board as early as possible.

All matches are to be played (and decided) on the day designated by the Match & Greens Committee. In extraordinary circumstances only, the Captain (or in the absence of the Captain, the designated member of the Match & Greens Committee) may consider varying this requirement.

Juniors - Club Competitions

Junior Members are permitted to reserve a tee time in any competition. Each Junior must be accompanied by an adult. No more than two Juniors are permitted to play in one group. Their card(s) must be marked by a full Member.

Competition Bookings / Cancellations

It is the responsibility of Members to ascertain whether they have an allocated tee time.

Member booking sheets are available as follows:

For Saturday and Sunday events

- At the Clubhouse booking kiosk from 5:00pm on the Thursday evening 16 days in advance
- On line from 7:00pm on the Thursday evening 16 days in advance
- By phoning the Club on (02) 9953-1522 or Pro Shop on (02) 9953-2089 from 9:00am on the Friday morning 15 days in advance

For all other events

- Booking sheets are available at the kiosk, online or by phone two weeks in advance.

Attached to each sheet will be a Waiting List. Members placing their name on the Waiting List must indicate a preferred time range to assist in allocating vacated tee-times.

To avoid inconvenience to other Members, Members are to adhere **strictly** to the following Rules:

Cancellations

- Tee-time cancellations must be as early as possible.
- Failure to comply, subject to the reason, may carry a penalty (which can include suspension of a Member's booking and/or playing rights).

No Show Procedure

- If a Member fails to cancel his/her booking in accordance with the above, the General Manager will contact that Member to seek an explanation. If the explanation is unsatisfactory, the matter passes to the next Match & Greens Committee meeting for consideration of a penalty

Penalty

- Can include suspension of a Member's booking and/or playing rights

Tee Times / Late Arrivals

It is expected that all players will report to the Starter (Pro Shop) 15 minutes prior to their scheduled tee-time. Rule 5.3 of the Rules of Golf (R&A) will apply to any players who are late for their designated tee-time.

Penalty Breach of Rule 5.3:

Penalty if the player arrives at the starting point ready to play within five minutes after designated starting time (loss of 1st hole in match play or two strokes at the 1st hole in stroke play - otherwise disqualification)

Competitions

If Members enter a published individual Competition their scores are to be submitted for handicapping. There is no prescribed minimum number of players in a Competition for scores to be submitted for handicapping.

Six players are required to constitute a competition for the awarding of a prize, voucher or ball. If members enter a published competition their scores are to be submitted for handicapping and the minimum for this to occur is two players.

Competition Prizes

- The procedure regarding Balls won in our Competitions is as follows:
- Balls are awarded to those who win and/or perform well in our Competitions. The voucher value and numbers of golf balls distributed are a function of the numbers in the day's field. Subject to COVID-19 restrictions, there is a presentation at the end of each Competition day and Balls are allocated to your ball account (Members Portal).
- Balls have a value equivalent (currently \$5/ball).
- N. Prizes may not be awarded if a player fails to comply with the Pace of Play Guidelines.

Decisions on Event Ties

The Match & Greens Committee has complete responsibility for deciding results of all events.

Unless otherwise specified in Conditions of Play:

- In qualifying rounds for all events (including Championships), positions in the draw for tied scores will be decided by count-back.
- Ties in Monthly Medal and Gold Medal will be decided by play-off over 18 Holes on the following Medal Day on the handicap of that day
- Ties in the 6 Golf NSW Ladies' Medal Rounds will be decided by count-back
- Ties in Match Play events (tied after the prescribed number of rounds) will be decided on the day by a "sudden death" hole by hole playoff on the hole where the match began (normally the 1st tee). If insufficient time is available to start or complete the play off on the day, the Committee will determine the time and day for the start or resumption of the play off.

- Ties in SCRATCH Stroke Championships (Cammeray Cup, Junior Championships, Ladies' Club, Bronze and Ladies' Foursome Championships) will be decided on the same day by a "sudden death" hole by hole play-off beginning from the 1st tee. If insufficient time is available for a play-off, the tie will be decided by countback.
- Ties in all other handicap Non-Match Play events will, unless otherwise advised by the Match & Greens Committee, be decided on count-back as follows:

18 Hole Handicap Event

- a) Last 9 holes
- b) Then the last 6 holes
- c) Then last 3 holes
- d) Then hole by hole from the 18th until a result is decided

36 Hole Handicap Event

For 36 Hole handicap events ties will be decided on count- back of last 18 holes and if still tied then as above for the last 18 holes.

*Note 1 - In an event with a multiple tee start, "last 9 holes, last 6 holes, etc." means holes 10-18, 13-18, etc, in the order they appear on the score card.

*Note 2 - Failure of Count-Back to decide a Tie (All Events): If a count-back fails to decide a tie, it will be decided by a blind draw.

Changes to Events

The Match & Greens Committee reserves the right to alter events, times or trophies. The Match & Greens Committee will notify members of the changes by placing a notice detailing the relevant change on the notice boards wherever possible.

Handicaps and Grades

To be eligible to play in Club Competitions, a Member must have a current official GA handicap. Club Competition Grades are defined by daily playing handicap as:

Men	Ladies
A – 12 or less	A – 27 or less
B – 13 to 19	B – 28 to 35
C – 20 to 36	C – 36 to 45

The above grades apply to all Club events and the B and C Grade Championships.

*Note 1 - Where insufficient starters are entered in a Grade the competition will be run with either 2 divisions or no division. The decision will be at the discretion of the Match & Greens Committee.

* Note 2 - Grades for Golf NSW Pennant Competitions are set according to the handicap of the prospective pennant player as defined annually by the Golf NSW.

Handicaps for Different Competitions

- Stroke: Full handicap
- Stableford: Full handicap
- Par: Full handicap
- Foursomes: $\frac{1}{2}$ aggregate handicap.
- Canadian Foursomes: $\frac{1}{2}$ aggregate handicap.
- Ambrose: Aggregate handicap divided by twice the number of players in the team/group. In the event of a 9- hole competition, divide by 2 again.
- Match Play: Difference between Stroke handicaps of the players. The lowest marker is set to zero handicap. (Handicap strokes allocated to the holes according to the match play index on the card.)

*Note - In Foursomes or Ambrose Events, after calculating the total handicap and dividing by appropriate number, the resulting handicap will be applied in fractions of a stroke. The final score will include the fraction of a stroke.

For Example:

A team of 4 playing in an 18 Hole Ambrose would calculate the team handicap as:

Player A handicap	11	Calculated handicap is $11\frac{1}{2}$ being 92 divided by 8. The team returns a gross score of 66 strokes for the round. The net score is therefore $54\frac{1}{2}$ which is 66 minus $11\frac{1}{2}$.
Player B handicap	17	
Player C handicap	28	
Player D handicap	<u>36</u>	
Total	92	

Handicap Limits

If a Member's handicap is higher than the event limit, that player may play in the event by playing off the maximum handicap allowed for that event. When a player is so restricted, the Match & Greens Committee will make the appropriate adjustments to the Member's results upon the Member's Score Card being submitted.

Provisional Handicaps

A Member's handicap status will become a Provisional GA Handicap in the event that the Member's most recent 20 rounds include five or more entries of 'No Score – Not Approved' status. Full handicap status will be regained upon the number of 'No Score-Not Approved' entries in the Member's most recent 20 rounds decreasing to four or less. In stroke play handicap competitions, Members with Provisional GA Handicaps, and their playing partners in pairs and team formats, will not be eligible to win prizes. Members with Provisional GA Handicaps will not be eligible to play in handicap match play competitions.

Handicap Adjustments

Handicaps are calculated based on the results of all (GA approved) competitions, whether on the Member's home course or at another Course, in accordance with the GA handicapping method. The

Match & Greens Committee has full discretion to adjust a Member's handicap, either up or down, based on their assessment of the player's ability.

Handicap Committee

The Handicap Committee is a sub-Committee of Match & Greens Committee and is responsible for ensuring the correct processing and recording of our Members' handicaps in line with requirements as advised by Golf Australia.

Keep up with the group in front, not just in front of the group behind.

Membership Categories

The following Membership categories are available.

- 7 Day Playing Member
- 6 Day Playing Member
- Junior Member - divided into the following categories

Under 10 years of age	10 - 12 years of age
13 - 15 years of age	16 - 25 years of age
26 - 30 years of age	
- Country Member (only available to existing 7 Day or 6 Day Playing Members, who relocate). Must live at least 100km from the Club)
- Social Member

* **Note** – Social Members have no playing rights. Country Members may play 6 matches (either in competition or social rounds) per year.

Obtaining a Handicap

To obtain a handicap, a Member must initially submit three cards (of 18 holes or 9 holes or a combination thereof) to the Handicap Committee. The cards must record the number of strokes (not Stableford points) and must be signed by the player and a marker who holds an approved handicap. These cards must be handed (all together) into the Office and clearly marked "FOR HANDICAP".

A new Playing Member may play in a Competition field with the approval of the Captain or the General Manager in order to obtain his/her handicap. A Member with this approval may place his/her name on the booking sheet.

Motorised Golf Carts

The use of motorised golf carts is permitted in all Cammeray Golf Club events and/or matches unless the Conditions of Play (e.g. some Pennants, GNSW) or course conditions preclude the use thereof.

Motorised Golf Cart Policy

The first time each year that a Member hires a cart, he or she will be required to show their Driver's Licence and sign a register. Only those who have a current Driver's Licence can drive a cart. Children are strictly forbidden from driving carts and should be seated whilst the cart is in motion.

Tees & Slope Ratings

Unless otherwise stipulated in the Conditions of Play the following tees will apply:

Blue Plates	All match-play rounds for the Club Championship, Foursomes Championship, Mixed Foursomes Championship and Junior Championship. Finals only for the B Grade Championship, C Grade Championship, Veterans' Championship, Singles Knockout, Four-Ball Knockout, Founders' Cup and the Mixed Fourball Knockout.
Blue Markers	Qualifying rounds for Club Championship, Foursomes Championship, Mixed Foursomes Championship, B & C Grade Championships, Founders' Cup and Junior Championship. Monthly Medal Rounds.
Dual Markers	Where a Men's Competition is using dual tee markers the White tee markers are to be used for the front 9 and the Blue tee markers are to be used for the back 9. All Lady Member Competitions use red markers for 18 holes.
White Markers	Where a Competition is using White tee markers only, then these are to be used for all 18 holes.
Red Plates	All match-play rounds for the Club and Bronze Championships, Foursomes Championship and Mixed Foursomes. Final of the Singles Knockout, Mixed Fourball and the Fourball Knockout.
Red Markers	Qualifying rounds for the Club and Bronze Championships, Foursomes Championship and Mixed Foursomes. All Golf NSW Medal Rounds and the Medal of Medals Final. All lady Member Competitions.
Pink Markers	Ladies 9-hole competition on Tuesday mornings.
Yellow & White Markers	Public players and Members when not engaged in a recognised Club Competition, either yellow or white markers can be used.

* Note - In the absence of designated tee-markers, the appropriate Blue, Red or White plates are to be used.

PRACTICE OFF PLATES IS NOT ALLOWED UNDER ANY CIRCUMSTANCES

Rules of Play

The rules of play are defined in The Royal and Ancient Golf Club of St. Andrews Rules of Golf Book effective at the current revision.

Course Markers

All Course Markers are measured to the centre of the greens. Yellow = 100m; Red = 150m and White = 200m. Distances are also indicated on most fairway sprinkler heads.

Local Rules

Permanent Local Rules of the Club are shown on the scorecard.

Temporary Local Rules (if any are in effect) will be shown on the Temporary Local Rules board near the Pro-Shop and/or the Club Notice Board and/or the competition notice sheet of the day and/or the scorecard relevant to the competition.

All Members are to acquaint themselves with the Rules of Golf and general points of etiquette. Copies of the Rules of Golf are available from the General Manager.

Course Management

To support the efforts of the Course Superintendent and his staff's investment in the grooming and maintenance of the course, members are required to carry a sand bucket and a pitch reparer at all times whilst playing on the Course.

Members must ensure that they and all persons in their playing group repair any divots taken on the course and any pitch marks evident on the greens. Members are requested to repair divots and pitch marks other than their own that they find whilst playing on the course. An excessive number of practice swings, which cause damage to the tees is to be avoided.

Method of Play - Special Events

Ambrose - Each team selects a captain who will decide the order of play. Each player tees off and the captain selects one ball for the next shot. The player of the ball selected will mark the position of his/her ball and play last. The players, playing in order, will **place** their ball within one club length when on the fairway or **drop** within one club length when in the rough (including bunkers) and **place** their ball within 15cm when on the putting surface of the green, until the hole is completed. Unless otherwise indicated each player must take 3 tee shots in a 4B team, 4 tee shots in a 3B team or 6 tee shots in a 2B team.

Four-Ball Match Play - To obtain the appropriate handicaps for the match, reduce the stroke play handicaps of all players by the handicap of the lowest handicapped player, who will play off scratch. Each of the other three players then play off the resulting calculated handicaps. Strokes are allocated in accordance with the **Match Play Index**.

For Example

Four players, "A", "B", "C", and "D".

"A's" handicap is 10

"B's" handicap is 22

"C's" handicap is 15

"D's" handicap is 11

"A" would play off Scratch; "B" off 12; "C" off 5; and "D" would play off 1.

Player "B" would get strokes at holes indicated 1 to 12 on the match play index.

Player "C" would get strokes at holes indicated 1 to 5 on the match play index.

Player "D" would get 1 stroke at the hole indicated 1 on the match play index.

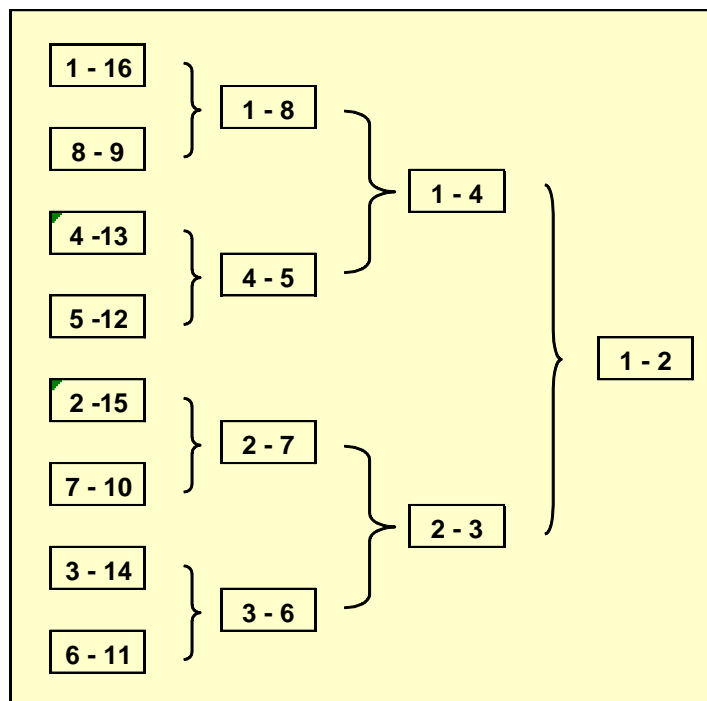
When only one player represents a side, and if the absent player is the lowest handicapped player of the match, the handicap of the absent player shall be used when adjusting handicaps.

Conditions of Match Play Events

The honour at the 1st Tee shall be in accordance with Rule 6.4 (a) of the Rules of Golf or, in the absence of a draw, by lot. All matches are to be played (and decided) on the day designated by the Match & Greens Committee. In extraordinary circumstances only, the Captain (or in the absence of the Captain, the designated member of the Match & Greens Committee) may consider varying this requirement.

Matches all square at the 18th or 36th hole as applicable, shall continue until a hole is won by either player or team, and where applicable, handicaps for the extra holes shall be taken as for the first 18 holes.

The automatic draw for match play events is as follows:



Qualifying Rounds

Players who wish to be considered for events that have qualifying rounds, must clearly mark their qualifying rounds' score cards with the letter "Q" or the word "Qualifying".

It is the player's responsibility to ensure this is done.

Players who indicate that they wish to qualify for such events should ensure that they are, except in unforeseen circumstances, available to play in all the following rounds. Failure to adhere to this requirement may result in the player being unable to enter future events.

Etiquette

Match Requirements

Golf etiquette is for the consideration of other Players. Players should ensure, through good manners and common-sense, that their conduct does not upset their or others enjoyment of the game. On a course like Cammeray, players can do a lot in the interest of etiquette and avoiding slow play by following these simple rules.

- Avoid slow play at all times by **walking quickly between shots and being ready to play without delay**. Please refrain from continuing conversation when addressing the ball.
- Avoid leaving bags and buggies in front of the green. Players should keep their bag and buggies as near as practical, avoiding the need to go out of the way to retrieve them.
- Do not cause a break in the field when stopping between nines.
- Call following players through, **immediately a ball is considered lost or whilst looking for a lost ball**.
- Leave the green before marking cards.**
- Pick the ball up immediately the hole is lost in Par or Stableford competitions.
- Be prepared to start play 5 minutes before called to the tee by the starter. The 1st and 10th tees shall be occupied at all times during a competition until the last group has hit off the 10th.

DO NOT RISK A PENALTY FOR SLOW PLAY
Keep up with the group in front, not just in front of the group behind.

Other important points of Etiquette include

- Do not move, talk or stand close to or directly behind the ball or the hole, when a player is addressing a ball or making a stroke.
- Players should not play until the players in front are out of range.
- Players must smooth out ALL damage in the bunkers with the rakes provided after playing their shot and replace the rakes in bunkers with the handle pointing in the direction of the tee.
- **PLEASE replace or repair ALL divots after playing a shot.**
- **PLEASE repair pitch marks in the green.**
- Players should avoid damaging the greens and surrounds by keeping motorized carts well away from greens, not dropping bags or the flag stick on the green, not damaging the hole or the green near the hole and in particular by not standing too close to the hole when retrieving the ball.
- The lowest marker in each group assumes responsibility for the conduct of the group and its speed of play. All players are expected to comply with pace of play guidelines. **PLAY READY GOLF!**
- Players should not practice golf on the course except in designated practice areas - such generally being - the practice putting green, the area to the right of the Public Tee on the 1st Tee, the temporary hole where rope defines practice area (when out of play) or any other hole on the course defined as out of play during a competition.

- Playing two or more balls concurrently on the course is prohibited.

Marking of Cards

- If Members are not sure how to score a competition, they should confirm the rules with a member of the Match & Greens Committee before handing in the card.
- It is the duty of the marker to observe a competitor's number of strokes and to correctly and clearly mark cards.
- Only handicapped Members of recognised Golf Clubs are eligible to mark competition cards and cards submitted for handicap purposes. It is a recommendation, to avoid error, that score cards be recorded after completion of each hole at the next tee.
- The player should ensure that his/her Club Membership Number, date and current handicap is correctly shown on the card and should check the marker's recording and addition before countersigning it. An incorrectly marked card may cause a player to be disqualified.
- All competition cards (whether complete or incomplete) must be placed in the Scorecard Box. No person other than a member of the Match & Greens Committee or designated officer of the club shall open the Scorecard Box.
- In a Four-Ball event, allocate each member of a pair to a column on the card, with his/her initials shown in the space provided.
- In an Ambrose event, it is desirable but not essential that each member of the team be responsible for verifying the scores and signing the card.
- Cards for 2BBB and/or 4BBB must be signed by both Players as well as the Marker.

Non-Competition Playing Times

Outside Club competitions, Playing Members are entitled to play during the times the course is open to the public upon payment of a \$8 green fee per day. No Member may commence play without first checking in at the Pro Shop

* Note - On public holidays and certain other days these times may vary. Where possible, prior notice will be posted on the notice boards. During these times all Members must take their turn on the tees with the public and may choose to play from the White or Yellow Tee markers. Members not participating in competitions should not play on the course during the booked competition time, until the 10th Tee is free. The Rules of Golf prohibit play on the course before participation in any event (except for Match Play).

Professional Shop

- The Club Professional (or designated staff member) is the official Club Starter for all competitions. For the avoidance of doubt, all Rules matters remain the province of Match & Greens Committee and should not be referred to the Club Starter.
- The Club Professional is responsible for promoting golf within the Club, for selling or hiring, as appropriate, new and secondhand equipment and accessories for repair, club fitting, club storage and club cleaning.
- The Club Professional is responsible for providing golf tuition to Members.

- The Club Professional provides special tuition for Club Pennant players. Members selected to represent the Club in Pennant teams may request special coaching sessions through the Match & Greens Committee.

Major Club Events - Men 2021

Event	Date
Singles' Knock Out E.V. Bourke Trophy - Handicap 18 Hole Match Play, max 32 players Play off handicap current on day - "sudden death" hole by hole playoff	January 9, 16, 23 February 6
Junior Cadet Championship (SCR) 18 Holes Stroke/ Stableford (one day) "sudden death" hole by hole playoff	February 28
F. J. Bulger Trophy - Gold Medal of Medals F.J. Bulger Trophy Replica is donated by K. Harrold (Dec) Play-off between the 12 Monthly Medal Winners for the Gold Medal	February 27
Veterans' Championship (SCR) Members over 55 years. Qualifying round 18 Hole stroke. Top 8 players qualify – 18 Hole Match Play - "sudden death" hole by hole playoff	January 30 February 6, 13, 20
Easter Cup Two 18-hole Stableford Rounds - Best Net Aggregate Score	NOT HELD in 2021 REFER JIM JACKMAN TROPHY
Four Ball Knock Out Four Ball Handicap 18 Hole Match Play, max 8 pairs Play off handicap current on day - "sudden death" hole by hole playoff	** SUNDAY** February 7, 14, 21
B & C Grade (SCR) Qualifying Rounds 18 Holes Stroke. Top 8 players qualify in each Grade 18 Hole Match Play - "sudden death" hole by hole playoff Final 18 holes	Q - April 10 (same day as Round 1 Club Championship qualifying) April 24 May 1, 8, 15
Jim Jackman Trophy Best Aggregate of two 18 Hole handicap stroke events	April 3, 5
Foursomes Championship (SCR) Qualifying Round 18 Hole Stroke. Sudden death playoff. Top 8 Pairs qualify for 18 Hole Match Play (Final 36 holes)	March 6, 13, 20, 27
Captain's Trophy Individual Stableford	May 22
Mixed Foursomes Championship (SCR) Qualifying Round 18 holes Stroke Top 8 pairs qualify for 18 Hole Match Play (Final 36 holes)	January 10, 17, 24, 31

Event	Date
Patron's Trophy Stroke (Best Nett)	May 29
Cammeray Cup - (SCR) Stroke 18 holes. Open to visitors. Ballot by handicap. "sudden death" hole by hole playoff for 1 st place only Cammeray Plate Played in conjunction with Cammeray Cup Stroke 18 Holes, Handicap	February 27
Club Championship (SCR) Qualifying Rounds - 36 holes stroke. Top 16 (max) to qualify for 18 Hole Match Play (Semi-Final and Final both 36 holes) - "sudden death" playoff	Q – April 10, 17 April 24 May 1, 8, 15
KJ Harrold Trophy Best Nett Score - 36 Holes	April 10, 17
Founders' Cup Best net score in each division SCR – 15, 16 – 21, 22 – 26, 27 – 36: Match play 18 Holes off Qualifying handicap	NOT HELD in 2021
Mixed Four Ball Knockout Qualifying Round 18 Holes Top 8 pairs to qualify for 18 Hole Match Play. Play off handicap current on day - "sudden death" hole by hole playoff	April 11, 18 May 2, 9
Doug Fergusson Trophy Individual Stableford – Anzac Day	April 25

Winners: Men's Major Club Events 2020

Event	Winner(s) 2020
Club Championship	Kevin Gibb
Foursomes Championship	Colin Leadle / Mark Owens
Mixed Foursomes Championship	Mark Erichsen / Christine Yeldham
F J Bulger Trophy - Medal of Medals	Vann Lloyd
B Grade Championship	Alan Carnegie
C Grade Championship	Jim Webster
Veterans' Championship	David O'Kane
Cammeray Cup	Anthony Tan
Cammeray Plate	Michael Bulloch
Singles Knockout	Vann Lloyd
Four Ball Knockout	NOT HELD – COVID-19
Mixed Four Ball Knockout	
Jim Jackman Trophy	Paul Dixon
Founders Cup	Malcolm Hill
Easter Cup	Mark Montgomery
Patron's Trophy	David harwood
K J Harold Trophy	Dennis Allsop
Doug Fergusson Trophy	Jakob Kotze

Winners: Men's Major Club Events 2020

Event	Winner(s) 2020
January Medal	Geoff Jones
February Medal	Geoff Jones
March Medal	Vann Lloyd
April Medal	Colin Mahon
May Medal	Harrison Cleary
June Medal	Geoff Jones
July Medal	Brent Dodgson
August Medal	Mark Brennan
September Medal	David Harwood
October Medal	Charles Rignall
November Medal	Phil Cummings
December Medal	Ben Burston

Major Club Events - Ladies 2021

Event	Date
Summer Bowl 9 Hole Stableford Best Aggregate 3 of 5 rounds	January 5, 12, 19 February 2, 9
Ladies Fourball Knockout Maximum 8 pairs for match play. Play off handicap current for each round	NOT HELD in 2021
June Edwards Trophy Best Aggregate 2 out of 3 Par rounds	March 2, 30 May 4
Singles Knock Out 18 Hole Match Play, Play off current handicap (8 for match-play)	May 16, 23, 30
Isobel Wilson Memorial Trophy 2 Rounds Stableford Best Aggregate	February 16, 23
Veterans' Championship 54 holes Stroke Best Nett Aggregate	February 9 March 9 April 6
Cammeray Cup (Max Handicap 27) 2 rounds Stroke – Best Nett aggregate wins	R1 – (Sat) January 30 / (Tues) February 9 R2 – (Sat) February 27 / (Tues) March 9
Foursomes Championships (SCR) (8 Pairs to Quality) Quarter Finals (Semis + Final as per Fixtures)	** SUNDAY** February 21, 28 March 14, 21
Club Championship (No Handicap limit) Bronze Championship 1 st & 2 nd Rounds (weekend) 1 st & 2 nd Rounds (weekday) Top 8 to qualify for Club Championship match play Next 8 to qualify for Bronze Championship match play (Qtrs, Semis + Final as per Conditions of Play)	R1 – (Tues) April 6 (Sat) April 10 R2 – (Tues) April 13 / (Sat) April 17

Winners: Ladies Major Winners 2020

Event	Winner(s) 2020
Club Championship	Kathy Scott
Bronze Championship	Michelle Perkins
Foursomes Championship	Merryl Johnson / Merrideth Stone
Cammeray Cup Winner	Merryl Johnson
Isobel Wilson Memorial	Ann Collis
June Edwards Trophy	Merryl Johnson
Four Ball Knock Out	Michelle Perkins / Anne Brookes
Singles Knock Out	Trish Kerr
Veterans' Championship	Kathy Scott
Summer Bowl	Eve Bagnall
Golf NSW – Div I	Kathy Scott
Div II	Michelle Perkins
Medal of Medals	Margaret Triggs
Goodwill Plate	Margaret Triggs

****PLEASE REMEMBER****

Fixtures & Dates are subject to change.

Please check the competition sheet on the Club Notice Boards for the day.

Friday	1 January (New Year's Day Public Holiday)	SOCIAL GOLF ALL DAY
Saturday	2 January	Stroke – Monthly Medal (January)
Sunday	3 January	Stableford

Monday	4 January	9 Hole Stableford
Tuesday	5 January	18/9 Hole Stableford Summer Bowl – Round 1
Wednesday	6 January	Stableford
Thursday	7 January	9 Hole Stableford
Friday	8 January	9 Hole Teams Stableford
Saturday	9 January	Men's Singles Knockout – Round of 16 Stableford / 2BBB
Sunday	10 January	Mixed Foursomes Championship – Qualifying Stableford

Monday	11 January	9 Hole Stableford
Tuesday	12 January	18/9 Hole Stableford Summer Bowl – Round 2
Wednesday	13 January	Stableford / 2BBB
Thursday	14 January	9 Hole Stableford
Friday	15 January	9 Hole Par
Saturday	16 January	Men's Singles Knockout – Quarter Finals Stableford / 2B Agg
Sunday	17 January	Mixed Foursomes Championship – Quarter Finals Stableford

Monday	18 January	9 Hole Stableford
Tuesday	19 January	18/9 Hole Stableford Summer Bowl – Round 3
Wednesday	20 January	Stableford / 2B Agg
Thursday	21 January	9 Hole Stableford
Friday	22 January	9 Hole Stableford
Saturday	23 January	Men's Singles Knockout – Semi Finals Stableford
Sunday	24 January	Mixed Foursomes Championship – Semi Finals Par

Monday	25 January	9 Hole Stableford
Tuesday	26 January (Australia Day Public Holiday)	SOCIAL GOLF ALL DAY
Wednesday	27 January	Stableford
Thursday	28 January	9 Hole Stableford
Friday	29 January	9 Hole Stableford
Saturday	30 January	Stroke – Monthly Medal (February) Men’s Veterans Championship – Qualifying Ladies Cammeray Cup – Round 1 Ladies GolfNSW / Club Medal
Sunday	31 January (PENNANTS)	Mixed Foursomes Championship – FINAL Stableford <i>Men’s Major Pennants @ Cammeray v Palm Beach</i>

Monday	1 February	9 Hole Stableford
Tuesday	2 February	18/9 Hole Stableford Summer Bowl – Round 4
Wednesday	3 February	Stableford / 2BBB
Thursday	4 February	9 Hole Stableford
Friday	5 February	9 Hole Ambrose
Saturday	6 February	Men's Singles Knockout – FINAL Men's Veterans Championship – Quarter Finals Stableford
Sunday	7 February (PENNANTS)	Men's Four Ball Knockout – Qualifying Stableford / 2BBB <i>Men's Major Pennants @ Palm Beach</i>

Monday	8 February	9 Hole Stableford
Tuesday	9 February	Ladies Cammeray Cup – Round 1 Ladies GolfNSW / Club Medal Ladies Veterans Championship – Round 1 18 Hole Stroke / 9 Hole Stableford Summer Bowl – Round 5
Wednesday	10 February	Stableford / 2B Agg
Thursday	11 February	9 Hole Stableford
Friday	12 February	9 Hole Stableford
Saturday	13 February	Men's Veterans Championship – Semi Finals Par
Sunday	14 February (PENNANTS)	Men's Fourball Knockout – Semi Finals Stableford <i>Men's Major Pennants @ Cammeray v Carnarvon</i>

Monday	15 February	9 Hole Stableford
Tuesday	16 February	Isobel Wilson Memorial Trophy – Round 1 18/9 Hole Stableford
Wednesday	17 February	Stableford
Thursday	18 February	9 Hole Stableford
Friday	19 February	9 Hole Stableford
Saturday	20 February	Men's Veterans Championship – FINAL Stableford / 2B Agg
Sunday	21 February (PENNANTS)	Men's Four Ball Knockout – FINAL Stableford Ladies Foursomes Championship – Qualifying <i>Men's Major Pennants @ Carnarvon</i>

Monday	22 February	9 Hole Stableford
Tuesday	23 February	Isobel Wilson Memorial Trophy – Round 2 18/9 Hole Stableford
Wednesday	24 February	Stableford / 2BBB
Thursday	25 February	9 Hole Stableford
Friday	26 February	9 Hole Stableford / 2BBB
Saturday	27 February	Stroke – Monthly Medal (March) Men’s Cammeray Cup, Cammeray Plate and Gold Medal of Medals Ladies Cammeray Cup – Round 2 Ladies GolfNSW / Club Medal
Sunday	28 February (PENNANTS)	Junior / Cadet Championship – Stroke Stableford Ladies Foursomes Championship – Quarter Finals <i>Men’s Major Pennants @ Leonay</i>

Monday	1 March	9 Hole Stableford
Tuesday	2 March	June Edwards Trophy – Round 1 18/9 Hole Par
Wednesday	3 March	Stableford / 2B Agg
Thursday	4 March	9 Hole Stableford
Friday	5 March	9 Hole Stableford
Saturday	6 March	Men's Foursomes Championship – Qualifying Foursomes Stroke / Stableford
Sunday	7 March (PENNANTS)	Stableford <i>Men's Major Pennants @ Cammeray v Leonay</i>

Monday	8 March	9 Hole Stableford
Tuesday	9 March	Ladies Cammeray Cup – Round 2 Ladies GolfNSW / Club Medal Ladies Veterans Championship – Round 2 18 Hole Stroke / 9 Hole Stableford
Wednesday	10 March	Stableford
Thursday	11 March	9 Hole Stableford
Friday	12 March (PENNANTS)	9 Hole Stableford <i>Bronze II Shield @ Ryde-Parramatta v Concord</i>
Saturday	13 March	Men's Foursomes Championship – Quarter Finals Stableford / 2BBB
Sunday	14 March	Stableford Ladies Foursomes Championship – Semi Finals

Monday	15 March	9 Hole Stableford
Tuesday	16 March	18/9 Hole Stableford
Wednesday	17 March	Stableford / 2BBB
Thursday	18 March	9 Hole Stableford
Friday	19 March (PENNANTS)	9 Hole Stableford <i>Bronze II Shield @ Pennant Hills v Ryde-Parramatta</i>
Saturday	20 March	Men's Foursomes Championship – Semi Finals Stableford / 2B Agg
Sunday	21 March	Par Ladies Foursomes Championship – FINAL

Monday	22 March	9 Hole Stableford
Tuesday	23 March	18/9 Hole Stableford
Wednesday	24 March	Stableford / 2B Agg
Thursday	25 March	9 Hole Stableford
Friday	26 March (PENNANTS)	9 Hole Stableford <i>Bronze II Shield @ Avondale v Oatlands</i>
Saturday	27 March	Men's Foursomes Championship – FINAL Par
Sunday	28 March	Stableford

Monday	29 March	9 Hole Stableford
Tuesday	30 March	June Edwards Trophy – Round 2 18/9 Hole Par
Wednesday	31 March	Stableford
Thursday	1 April	9 Hole Stableford
Friday	2 April (Good Friday Public Holiday)	No competition CLUBHOUSE CLOSED
Saturday	3 April (Easter Saturday Public Holiday)	Jim Jackman Trophy – Round 1 Stableford
Sunday	4 April (Easter Sunday Public Holiday)	Par

Monday	5 April (Easter Monday Public Holiday)	Jim Jackman Trophy – Round 2 Stableford
Tuesday	6 April	Ladies Club / Bronze Championship – Round 1 Ladies Veterans Championship – Round 3 Ladies GolfNSW / Club Medal 18 Hole Stroke / 9 Hole Stableford
Wednesday	7 April	Stableford / 2BBB
Thursday	8 April	9 Hole Stableford
Friday	9 April (PENNANTS)	9 Hole Stableford <i>Bronze II Shield @ Pymble v Pennant Hills</i>
Saturday	10 April	Club Championship Qualifying – Round 1 B & C Grade Qualifying Round Stroke – Monthly Medal (April) Ladies Club / Bronze Championship – Round 1 Ladies GolfNSW / Club Medal
Sunday	11 April	Mixed Fourball – Qualifying Stableford

Monday	12 April	9 Hole Stableford
Tuesday	13 April	Ladies Club / Bronze Championship – Round 2 Ladies GolfNSW / Club Medal 18 Hole Stroke / 9 Hole Stableford
Wednesday	14 April	Stableford / 2B Agg
Thursday	15 April	9 Hole Stableford
Friday	16 April (PENNANTS)	9 Hole Stableford <i>Bronze II Shield @ Oatlands v Avondale</i>
Saturday	17 April	Club Championship Qualifying – Round 2 Stroke Ladies Club / Bronze Championship – Round 2 Ladies GolfNSW / Club Medal
Sunday	18 April	Mixed Fourball – Quarter Final Stableford ANNUAL GENERAL MEETING

Monday	19 April	9 Hole Stableford
Tuesday	20 April	Ladies Club / Bronze Championship – Quarter Final
Wednesday	21 April	Stableford
Thursday	22 April	9 Hole Stableford
Friday	23 April (PENNANTS)	9 Hole Stableford / 2BBB <i>Bronze II Shield – HOSTING DAY</i>
Saturday	24 April	Club, B & C Grade – Round 1 Matchplay Stableford
Sunday	25 April (Anzac Day Public Holiday)	Doug Fergusson Memorial Plate Stableford

Monday	26 April	9 Hole Stableford
Tuesday	27 April	Ladies Club / Bronze Championship – Semi Final 18/9 Hole Stableford
Wednesday	28 April	Stableford / 2BBB
Thursday	29 April	9 Hole Stableford
Friday	30 April (PENNANTS)	9 Hole Stableford <i>Bronze II Shield @ Concord v Pymble</i>
Saturday	1 May	Club, B & C Grade – Quarter Finals Stableford
Sunday	2 May	Mixed Fourball – Semi Final Par

Monday	3 May	9 Hole Stableford
Tuesday	4 May	Ladies Club / Bronze Championship – FINAL June Edwards Trophy – Round 3 18/9 Hole Par
Wednesday	5 May	Stableford / 2B Agg
Thursday	6 May	9 Hole Stableford
Friday	7 May	9 Hole Stableford
Saturday	8 May	Club Championship – Semi Final (36 Holes) B & C Grade – Semi Final (18 Holes) Stableford / 2B Agg
Sunday	9 May	Mixed Fourball – FINAL Stableford

Monday	10 May	9 Hole Stableford
Tuesday	11 May	Ladies GolfNSW / Club Medal 18 Hole Stroke / 9 Hole Stableford
Wednesday	12 May	Stableford
Thursday	13 May	COURSE CLOSED
Friday	14 May	9 Hole Stableford / 2BBB
Saturday	15 May	Club Championship – FINAL (36 Holes) B & C Grade – FINAL (18 Holes) Stableford (Men) / Stoke (Ladies) Ladies GolfNSW / Club Medal
Sunday	16 May (PENNANTS)	Stableford Ladies Weekend Singles Knockout – Quarter Final <i>Men's Masters Pennants @ Cammeray v Warringah</i>

Monday	17 May	9 Hole Stableford
Tuesday	18 May	Stableford
Wednesday	19 May	Stableford / 2BBB
Thursday	20 May	9 Hole Stableford
Friday	21 May (PENNANTS)	9 Hole Canadian Foursomes <i>Silver, Bronze 1 & 2 Pennant @ Carnarvon v Killara</i>
Saturday	22 May	Captain's Trophy Stableford
Sunday	23 May (PENNANTS)	Stableford Ladies Weekend Singles Knockout – Semi Final <i>Men's Masters Pennants @ Cammeray v Georges River</i>

Monday	24 May	9 Hole Stableford
Tuesday	25 May	18/9 Hole Stableford Teams
Wednesday	26 May	Stableford / 2B Agg
Thursday	27 May	9 Hole Stableford
Friday	28 May (PENNANTS)	9 Hole Stableford <i>Silver, Bronze 1 & 2 Pennant – HOSTING DAY</i>
Saturday	29 May	Patron's Trophy Stroke – Monthly Medal (May) Ladies GolfNSW / Club Medal
Sunday	30 May (PENNANTS)	Stableford Ladies Weekend Singles Knockout – FINAL <i>Men's Masters Pennants @ Cammeray v Randwick</i>